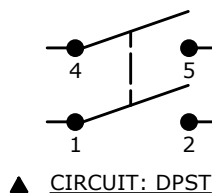


SUGGESTED PANEL CUTOUT

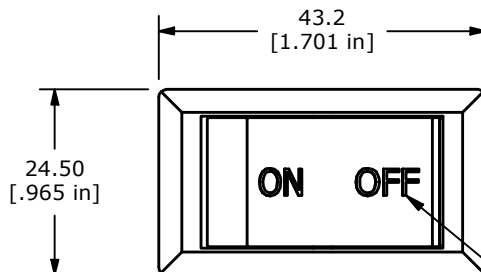
PANEL THICKNESS	(X) +.10mm/-0.00mm
1.5 - 2.0 mm	36.8 mm
2.0 - 3.0 mm	37.2 mm
3.0 - 4.0 mm	37.5 mm

SWITCH FUNCTION	
POS. 2	POS. 1
ON	OFF
1-2, 4-5	OPEN

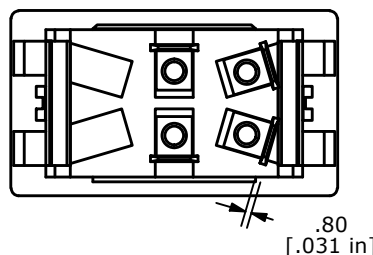
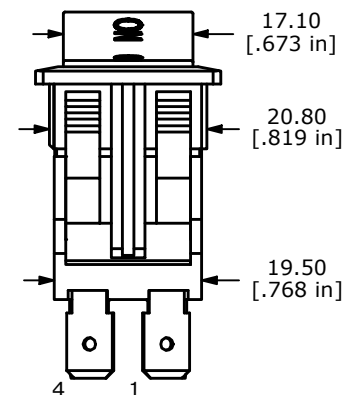
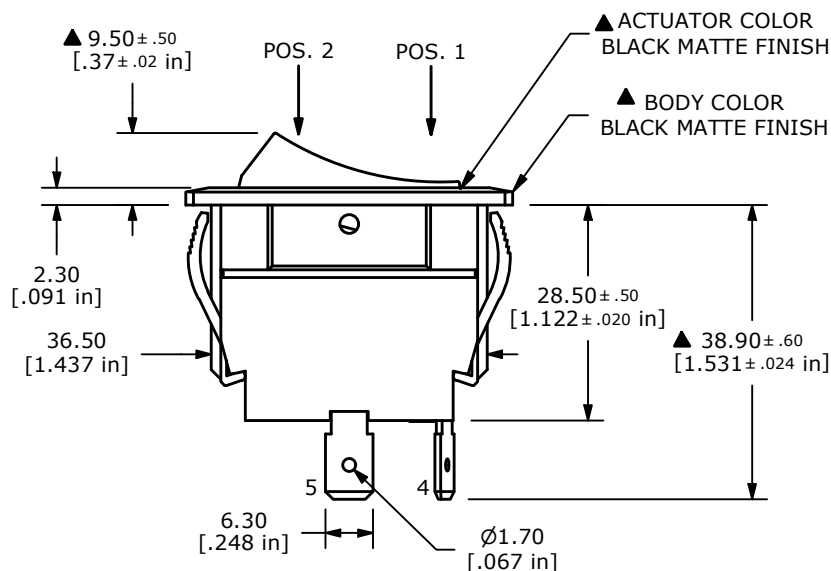


NOTES:

- ALL DIMENSIONS IN MM [INCH]
- GENERAL TOLERANCE: X.X=±0.5
X.XX=±0.3
- RATINGS: ANSI/UL 508 AND CAN/CSA C22.2 NO.14 (E195908):
20A, 125VAC [cURus]
15A, 277VAC [cURus]
2HP, 110/250VAC [cURus]
- CONTACT RESISTANCE: 50 mΩ MAX. @ 50VAC
- INSULATION RESISTANCE: 2 MΩ MIN. @ 500VDC
- ELECTRICAL LIFE: 6,000 CYCLES [cURus]
- DIELECTRIC STRENGTH: 1,500V FOR 1 MINUTE
- OPERATING TEMPERATURE: 0°C TO +55°C [cURus, CSA]
0°C TO +55°C [VDE]
- INGRESS PROTECTION: IP54
- ▲ DENOTES CRITICAL PARAMETER



▲ MARKING COLOR
WHITE



B	24654	UPDATED DIMENSIONS, CUTOUT, NOTES	3/15/21	JM
A	22472	NEW RELEASE	8/30/16	MJR
REV	PCR NO	DESCRIPTION	DATE	BY

TITLE RVW42D1124				
SCALE 1:1	DATE 8/30/2016	DR MJR	DWG 34-RVW42D1124	REV B

THE INFORMATION CONTAINED IN THIS DOCUMENT IS PROPRIETARY TO E-SWITCH AND IS NOT TO BE COPIED OR TRANSFERRED